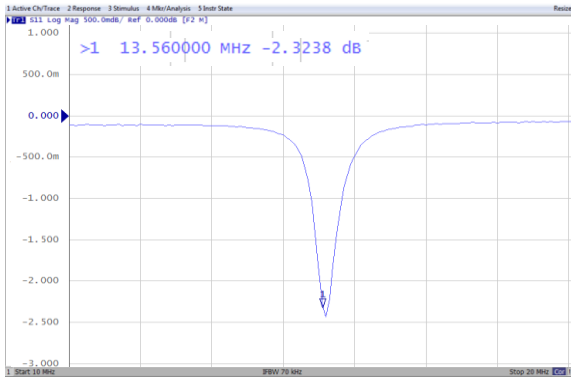


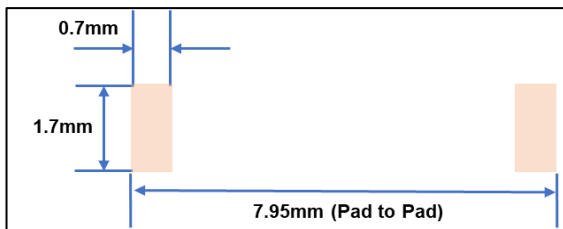
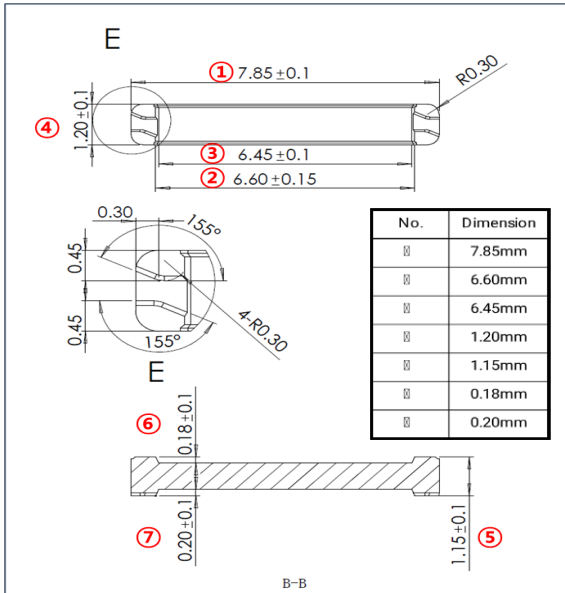
MAEP103 – Ultra Small NFC Coil Antenna



VSWR



Dimension (unit : mm)



Recommended Land Pattern

Features

- Antenna Size : 7.85 x 1.34 x 1.29mm
- Connector : Direct soldering on PCB (SMD)
- Operation Frequency Band
 - 13.56Mhz (NFC)
- Ferrite Core
- MuCAT® Technology Maximizes Magnetic Fields
- Easily Assembles to Device (Standard SMD device)
- Excellent Performance in Mobile, Medical Device and other IoT Wearable Devices
- RoHS Compliance

Applications & Electrical Data

- Mobile Micro Wearable devices (Smart watches, Earphones)
- Smart phone. Payment terminals
- Medical devices
- Human and animal implants (glass tubes), (Hearing aids)

| Recognition distance | Inductance(uH) | DCR max.(ohm) |
|----------------------|----------------|----------------|
| 26mm | TBD | 0.2 Ω |
| SRF(MHz) | Q value | Matching Value |
| TBD | TBD | TBD |

Introduction

MAEP103 is an ultra-small NFC antenna incorporating SkyMirr's patented MuCAT® technology. It is suitable for cutting-edge devices such as biomedical micro-devices or wearable devices.