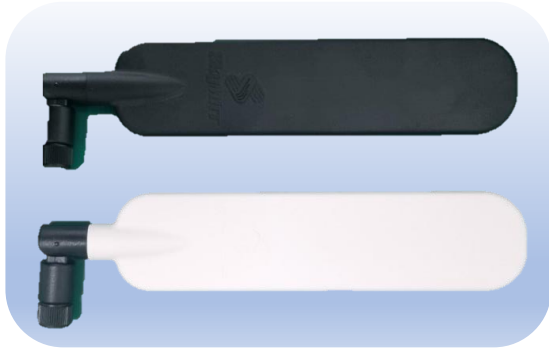


TAMP112 – 4G LTE / 5G Broadband Omni Antenna



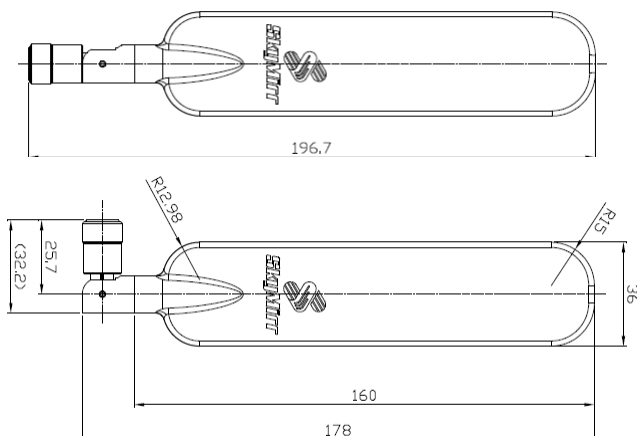
VSWR



Specifications

Frequency [MHz]	798	880	960	1710	2170	2500	2690	3300	3800
Efficiency [%]	45.5	73.7	48.3	69.5	54.1	83.2	68.0	83.1	43.1
Peak Gain [dBi]	0.99	2.15	0.76	2.13	2.08	3.97	3.43	5.03	1.48
Impedance	50Ω								
Polarization	Vertical								
Directivity	Omni Directional								

Dimension [unit : mm]



Features

Antenna Size : 196.7 mm x 36 mm x Φ13 mm

Connector : SMA (male)

Operating Frequency Bands

- 698~960Mhz
- 1710~2170Mhz
- 2500~2690Mhz
- 3300~4200Mhz

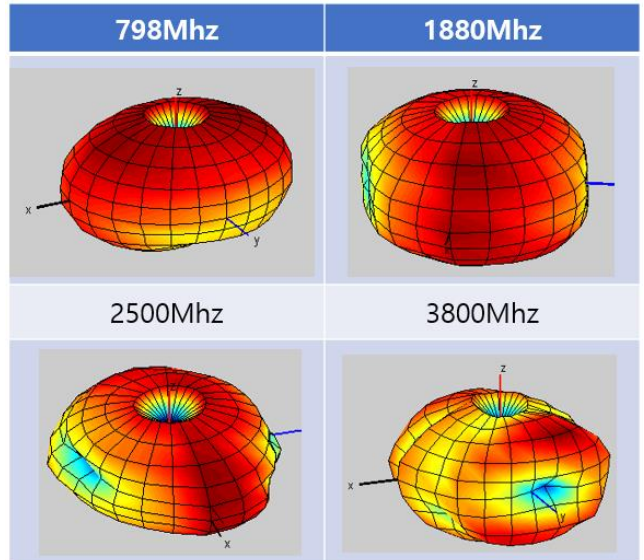
Color : Black / White

Broadband Omnidirectional Antenna with Hinge

High Efficiency

RoHS Compliance

Radiation Pattern



Introduction

The TAMP112 is an omnidirectional external antenna used for connecting wireless communication devices such as Consumer Premise Equipment (CPE) or various IoT applications, sensors, trackers, and smart devices to the mobile network.