

# Embedded (Health Monitoring) Antenna

# MAEP103 Ultra Small NFC Antenna

## INTRODUCTION

MAEP103 is an ultra-small NFC antenna incorporating SkyMirr's patented MulCAT® technology. It is suitable for cutting-edge devices such as biomedical micro-devices or wearable devices.

## APPLICATION

- Mobile Micro Wearable devices (Smart watches, Earphones)
- Smart phone. Payment terminals
- Medical devices Human and animal implants (glass tubes), (Hearing aids)

## Features and Benefits

- **Ferrite Core**
- **MulCAT® Technology Maximizes Magnetic Fields Easily Assembles to Device (Standard SMD device)**
- **Excellent Performance in Mobile, Medical Device and other IoT Wearable Devices**
- Antenna Size : 7.85 x 1.34 x 1.29mm
- Connector : Direct soldering on PCB (SMD)
- Operation Frequency Band
  - 13.56Mhz (NFC)
- RoHS Compliance

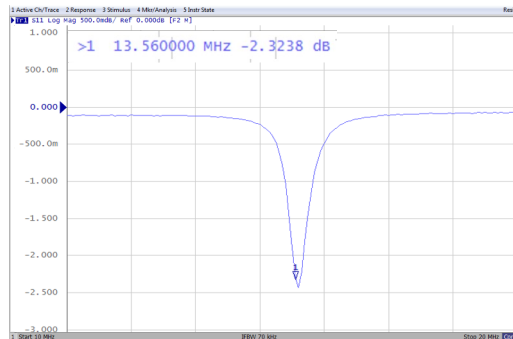


## Performance

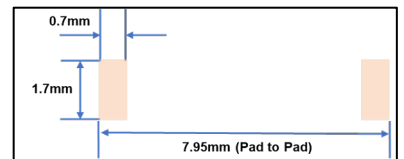
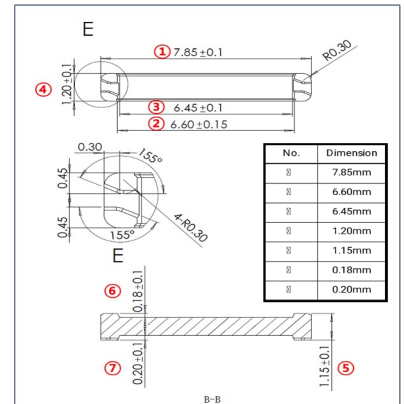
### Specifications

Recognition distance	Inductance(uH)	DCR max.(ohm)
26mm	TBD	0.2 Ω
SRF(MHz)	Q value	Matching Value
TBD	TBD	TBD

### VSWR



## Dimension (unit: mm)



[www.skymirr.com](http://www.skymirr.com)

**US**  
+1-321-393-1039  
sales@skymirr.com

**KR**  
carl.lee@skymirr.com

**TW**  
christin.lin@skymirr.com